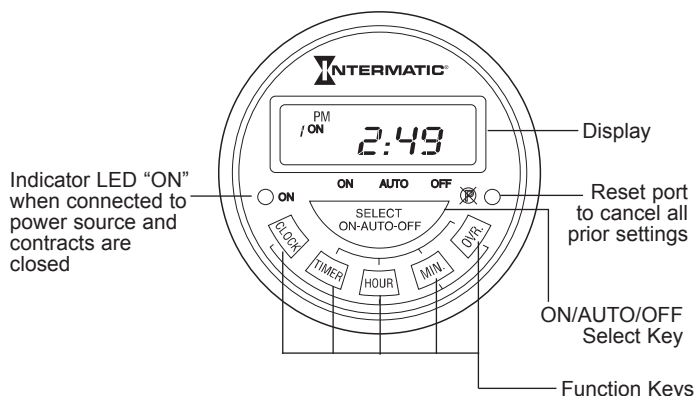



# SAVE THIS INSTRUCTION

## Programmable Digital Timer Instruction Manual




This electronic timer is accurate to the minute, and has the capacity to accept up to 16 set points (16 ON and 16 OFF times) and will repeat the program daily.

### Operating Instructions

1. For voltage and electrical RATING information, please refer to marking on back of timer.
2. See back of timer for proper wire connections.
3. Press reset key  before first use to clear memory.
4. To replace battery, disconnect electricity first, then open battery compartment on back of timer and install new lithium battery type CR2032.



### Random-Start-Up Override

Press and hold **DAY** key and then press **MIN** key. There shall be a symbol  shows on left corner of LCD screen, to indicate this Override in executing.

When this Override is being executed, the original programs will be stopped, and once every 10 to 120 minutes Timers shall automatically turn its output to "ON" status.

In practicable application which is applied to home-use, this Override function also called Anti-Burglar Override. Once again to press and hold **DAY** key, and then press **MIN** key shall terminate this Override.

### Key Lock function:

1. Enter Auto mode and press both "**DAY**" + "**HOUR**" keys for 6 seconds, Key Lock function will be enabled, you will see the icon  flashing on the screen.
2. Except **RESET** key, every key function will be locked in Key Lock mode.
3. Pressing both "**DAY**" + "**HOUR**" keys for 6 seconds again will cancel the Key Lock function, icon  will disappear from the screen.

### Programming Instructions To Set or Change the Time:

To clear entire memory, press  key.

Hold down the **CLOCK** key while pressing either the **HOUR** or **MINUTE** keys. Continue pressing until the desired number is shown.

Then simply lift finger off the **CLOCK** key to set.

### To Set Program (ON/OFF times):

Press **TIMER** key once to enter into program mode.

Display will show "1 ON - - -".

Press the **HOUR** key and then the **MINUTE** key to select the desired first ON time.

Press **TIMER** key once. Display will show "1 OFF - - -".

Repeat previous step to select the desired first OFF time.

Repeat the entire sequence to complete up to eight

ON/OFF times as desired.

When programming is done, press the **CLOCK** key then the **SELECT** key repeatedly until the indicator bar is above the word "**AUTO**".

### To Review Program:

Press **TIMER** key repeatedly. When done, press **CLOCK** key to return to the time of day.

### To Cancel/Change Part of the Program:

Press **TIMER** key repeatedly until the particular ON or OFF time appears.

Set new ON or OFF time. (See: To Set Programs)

### To Override Automatic Operation:

Press **SELECT** key to move indicator bar to the desired ON or OFF position.

Note: Timer will not resume automatic operation until indicator bar is repositioned above the word **AUTO**.

### To Override Timer Status (ON or OFF)

Press "**OVR**", key. Timer will resume automatic operation with the next opposite set point.

Warranty service is available by either (a) returning the product to the dealer from whom the unit was purchased or (b) completing a warranty claim online at [www.intermatic.com](http://www.intermatic.com). This warranty is made by: Intermatic Incorporated, 1950 Innovation Way, Suite 300, Libertyville, IL 60048.

For additional product or warranty information go to: <http://www.Intermatic.com> or call 815-675-7000.